

ADEMCO LYNXR-I Security Systems

Programming Guide



TABLE OF CONTENTS

Data Fields	3
*56 Enhanced Zone Programming	11
*80 Device Programming	13
*81 Zone Lists	14
*83 Enhanced Sequential Mode	15
*84 Assign Zone Voice Descriptors.....	16
Vocabulary Index (for *84 Assign Zone Voice Descriptors)	16
*85 Record Custom Voice Descriptors	18
*56 Enhanced Zone Programming Worksheet	18
Powerline Carrier Device Worksheet for *80 And *81	20
5800 Series Transmitter Loop Numbers Diagram.....	21
Special Messages	21
LYNXR-I Summary of Connections Diagram.....	22

Refer to the Installation and Setup Guide for detailed information on programming the LYNXR-I system. The Installation and Setup Guide includes full descriptions of all data fields.



LYNXR-I is not intended for UL985 Household Fire applications unless a 24-hour backup battery (P/N LYNXRCHKIT-HC or LYNXRCHKIT-SHA) is installed.

TO ENTER PROGRAMMING MODE:

1. Power up, then depress **[*]** and **[#]** both at once, within 50 seconds of powering up.
OR
2. For factory defaulted system, enter: **Installer Code (4 + 1 + 1 + 2)** plus **8 + 0 + 0**. OR
If different **Installer Code** is programmed, enter: **New Installer Code + 8 + 0 + 0**.
(if *98 was used to exit previously, method 1 above must be used to enter the program mode again)
3. Upon entry into Program mode, data field *20 will be displayed (the first data field in the system) and both keypad LEDs will flash.

TO PROGRAM THE DATA FIELDS:

1. Press [*] followed by the desired field number (e.g., *21), then make the required entry.
2. The keypad beeps three times after entering data, then displays the next data field in sequence.
3. For phone number and account number fields, press [*] to end the entry if less than number maximum number of digits is entered.
4. To delete an entry, simply press [*] plus that field number and reenter the correct data. For phone number and account number fields *40-*44, *88 and *94, press [*] + field number + [*].

INTERACTIVE MENU MODES:

There are six interactive menu modes as listed below. To enter these modes, first enter Program mode. While in Program mode, press [*] plus the mode number desired (e.g., *56).

- *56 Enhanced Zone ProgrammingFor programming zone characteristics, report codes, etc.
- *80 Device Programming.....For programming Powerline Carrier Devices
- *81 Zone List Programming.....For programming zone lists for use with Powerline Carrier Devices
- *83 Enhanced Sequential Mode.....For entering transmitter serial numbers
- *84 Assign Zone Voice Descriptors.....For assigning voice descriptors to zones
- *85 Record Custom Voice Descriptors.....For recording custom voice descriptors

TO LOAD A DEFAULT SET:

While in Program mode, press *97, then enter a number 1-4 corresponding to the default table desired. See the Installation Instructions for the default tables. Enter 0 if you are not selecting a default table.

TO EXIT PROGRAMMING MODE:

*98 Exits programming mode and *prevents* re-entry by: Installer Code + 8 + 0 + 0. If *98 is used to exit programming mode, system must be powered down, then press [*] and [#] within 50 seconds of power up to re-enter programming mode.

*99 Exits programming mode and *allows* re-entry by: Installer Code + 8 + 0 + 0 or: Power-up, then press [*] and [#] within 50 seconds of power up.

DATA FIELDS

Field	Function	Programmed Values	[] = Table 1 Default Values
SYSTEM SETUP (* 20- * 30)			
*20	INSTALLER CODE	<input type="text"/> <input type="text"/> <input type="text"/> <input type="text"/> [4112] Enter 4 digits, 0-9	
*21	QUICK ARM ENABLE	<input type="text"/> † [1] 0 = no; 1 = yes	
*22	KEYPAD BACKLIGHT TIMEOUT	<input type="text"/> [0] 0 = none (backlighting always on); 1 = backlight off after 10secs	
*23	FORCED BYPASS	<input type="text"/> † [0] 0 = none; 1 = bypass open zones UL installations = 0	
*24	RF HOUSE ID CODE	<input type="text"/> <input type="text"/> [00] 00 = disable all wireless keypad usage; 01-31 = 5804BD/5804BDV house ID	
*25	POWERLINE CARRIER DEVICE HOUSE CODE	<input type="text"/> [0] 0 = A; 1 = B, 2 = C, 3 = D, 4 = E, 5 = F, 6 = G, 7 = H, 8 = I, 9 = J, #10 = K, #11 = L, #12 = M, #13 = N, #14 = O, #15 = P	
*26	CHIME BY ZONE	<input type="text"/> † [0] 0 = no; 1 = yes (program zones to chime on zone list 3)	
*27	REAL TIME CLOCK DISPLAY	<input type="text"/> † [1] 0 = no; 1 = yes, display time on keypad	
*29	DAYLIGHT SAVING TIME START/END MONTH	<input type="text"/> <input type="text"/> [4, 10] Start End 1-9, #+10,#+11,#+12. Enter 0,0 if no daylight savings time used.	
*30	DAYLIGHT SAVING TIME START/END WEEKEND	<input type="text"/> <input type="text"/> [1,5] Start End 0=disable; 1=first; 2=second; 3=third; 4=fourth; 5=last; 6=next to last; 7=third from last	

† Entering a number other than the one specified may give unpredictable results.

Field	Function	Programmed Values	[] = Table 1 Default Value
*49	SPLIT/DUAL REPORTING	<input type="checkbox"/> [0] 0 = Disable (None, unless primary fails) TO PRIMARY PHONE No. 1 = Alarms, Restore, Cancel 2 = All except Open/Close, Test 3 = Alarms, Restore, Cancel 4 = All except Open/Close, Test 5 = All TO PRIMARY PHONE No. 6 = All except Open/Close 7 = All reports 8 = All reports 9 = All except Open/Close TO PRIMARY PHONE No. 10 = All except Open/Close 11 = All reports 12 = All reports 13 = All except Open/Close	TO SECONDARY PHONE No. Others Open/Close, Test All All All TO PAGING** No. (Secondary) Alarms, Open/Close [†] , Troubles Alarms, Troubles Alarms, Open/Close [†] , Troubles Open/Close [†] [†] Will report users 0, 5-8 or wireless arm/disarm button zones 26-33; all other zones and users do not report TO SECONDARY ("FOLLOW ME") SYSTEM PHONE No. Alarms, Open/Close [†] , Troubles Alarms, Troubles Alarms, Open/Close [†] , Troubles Open/Close [†] [†] Will report users 0, 5-8 or wireless arm/disarm button zones 26-33; all other zones and users do not report
	** Pager Message A 7-digit code (plus optional 16-digit prefix) is sent to the pager consisting of a 3-digit event code, followed by 0 and a 3-digit user or zone number. See Installation Instructions for an explanation of the pager code, which takes the following form: AAAAAAAAAAAAAA-EEE-0NNN AAA... = optional 16-digits (see field *88) EEE = 3-digit event code: 911 (alarm), 101 (open), 102 (close), 811 (trouble) 0 = always displayed NNN = 3-digit user number or zone number, depending on the type of event (EEE) that occurred.		
*50	15 SEC DIALER DELAY (BURG)	<input type="checkbox"/> † [0] 0 = no; 1 = yes; UL installations = 0	
*51	PERIODIC TEST REPORT	<input type="checkbox"/> † [0] 0 = none; 1 = 24 hours; 2 = weekly; 3 = 30 days (enter Test Code in field *64)	
*52	FIRST TEST REPORT OFFSET	<input type="checkbox"/> † [2] 0 = 24 hour; 1 = 6 hours; 2 = 12 hours; 3 = 18 hours (Time to 1st report from power up/programming or downloading).	
*53	SESCOA/RADIONICS SELECT	<input type="checkbox"/> [0] 0 = Radionics (0-9, B-F reporting); 1 = SESCOA (0-9 only reporting). Select 0 for all other formats.	
*54	LACK OF USAGE NOTIFICATION	<input type="checkbox"/> [0] 0 = Disabled 1 = 1 day 2 = 7 days 3 = 27 days 4 = 90 days 5 = 180 days 6 = 365 days	
*55	ENABLE/DISABLE LRR/IP COMMUNICATIONS DEVICE	<input type="checkbox"/> [0] 0 = disable 1 = enable	
*56	ENHANCED ZONE PROGRAMMING	See procedure in this guide and refer to the Installation Guide.	
*58	RF JAM DETECT	<input type="checkbox"/> [0] 0 = no RF Jam Detection; 1 = RF Jam Detect on, no CS report; 2 = RF Jam Detect on with CS report (if trouble/restore report is enabled in fields *60, *71) Note: For event logging option 2 must be selected.	

† Entering a number other than the one specified may give unpredictable results.

Field	Function	Programmed Values[] = Table 1 Default Value																		
*75	RF XMTR LO BAT RST RPT CODE	<input type="text"/> <input type="text"/> [1,0]																		
*76	TEST RESTORE RPT CODE	<input type="text"/> <input type="text"/> [0,0]																		
DYNAMIC SIGNALING FIELD *77																				
*77	DYNAMIC SIGNALING DELAY/ DYNAMIC SIGNALING PRIORITY	<input type="text"/> <input type="text"/> [0, 0]																		
<p>1st Entry (delay before switch CS reporting path)</p> <table> <tr> <td>0 = Redundant reporting on dialer and LRR/IP device</td> <td>7 = 105 seconds</td> </tr> <tr> <td>1 = 15 seconds</td> <td>8 = 120 seconds</td> </tr> <tr> <td>2 = 30 seconds</td> <td>9 = 135 seconds</td> </tr> <tr> <td>3 = 45 seconds</td> <td>#10 = 150 seconds</td> </tr> <tr> <td>4 = 60 seconds</td> <td>#11 = 165 seconds</td> </tr> <tr> <td>5 = 75 seconds</td> <td>#12 = 180 seconds</td> </tr> <tr> <td>6 = 90 seconds</td> <td>#13 = 195 seconds</td> </tr> <tr> <td></td> <td>#14 = 210 seconds</td> </tr> <tr> <td></td> <td>#15 = 225 seconds</td> </tr> </table>			0 = Redundant reporting on dialer and LRR/IP device	7 = 105 seconds	1 = 15 seconds	8 = 120 seconds	2 = 30 seconds	9 = 135 seconds	3 = 45 seconds	#10 = 150 seconds	4 = 60 seconds	#11 = 165 seconds	5 = 75 seconds	#12 = 180 seconds	6 = 90 seconds	#13 = 195 seconds		#14 = 210 seconds		#15 = 225 seconds
0 = Redundant reporting on dialer and LRR/IP device	7 = 105 seconds																			
1 = 15 seconds	8 = 120 seconds																			
2 = 30 seconds	9 = 135 seconds																			
3 = 45 seconds	#10 = 150 seconds																			
4 = 60 seconds	#11 = 165 seconds																			
5 = 75 seconds	#12 = 180 seconds																			
6 = 90 seconds	#13 = 195 seconds																			
	#14 = 210 seconds																			
	#15 = 225 seconds																			
<p>2nd Entry</p> <p>0 = Primary Dialer Preferred Channel 1 = LRR/IP Preferred Channel 2 = LRR/IP reporting only</p>																				
OUTPUT AND SYSTEM SETUP (*80-*92)																				
*80	DEVICE PROGRAMMING MENU MODE	Program *80 and *81 only if Powerline Carrier Devices or chime by zone are to be used. See procedure later in this manual.																		
*81	ZONE LISTS MENU MODE																			
*83	ENHANCED SEQUENTIAL MODE	See procedure later in this manual.																		
*84	ASSIGN ZONE VOICE DESCRIPTOR	See procedure later in this manual.																		
*85	RECORD CUSTOM VOICE DESCRIPTOR	See procedure later in this manual.																		
*87	AUX FUNCTION/ 1-BUTTON PAGING	<input type="checkbox"/> [0] 0 = Aux key performs defined function (macro); 1 = Aux key sends message to pager or voice message to follow me system phone number. If 1, you must also select an option 6-9 in field *49 for the pager or 10-13 for the follow me system announcement.																		
*88	PAGER CHARACTERS	<input type="text"/> <input type="text"/> <input type="text"/> <input type="text"/> <input type="text"/> <input type="text"/> <input type="text"/> <input type="text"/> <input type="text"/> <input type="text"/> <input type="text"/> <input type="text"/> <input type="text"/> <input type="text"/> <input type="text"/> <input type="text"/> Up to 16 digits can be entered that will appear in front of the 7-digit pager message sent by the control (either upon system event or upon pressing AUX key [if programmed for paging]; see field *87 and *49 for other options regarding the paging feature). See the Installation Instructions (fields *87, *88 and *49) for full descriptions of the paging feature. You do not need to fill all 16 digits (press [*] to advance to next field). To clear entries, enter *88*. To enter "*" = [#] + [11]; To enter "#" = [#] + 12 To enter 2-second pause = [#] + [13] (some pagers require an additional delay [pause] in order to receive the entire message)																		
*89	EVENT LOG 80% FULL RPT CODE	<input type="text"/> <input type="text"/> [0,0]																		

Field	Function	Programmed Values[] = Table 1 Default Value
*90	EVENT LOGGING	<input type="checkbox"/> [3] 0 = None; 1 = Alarm/Alarm Restore; 2 = Trouble/Trouble Restore; 4 = Bypass/Bypass Restore; 8 = Open/Close. <i>Example:</i> To select "Alarm/Alarm Restore", and "Open/Close", enter 9 (1 + 8); To select all, enter #15. Note: System messages are logged when any non-zero selection is made.
*91	ALARM AUDIO VERIFICATION (AAV)/REMOTE PHONE CONTROL	<input type="checkbox"/> [2] 0 = None 1 = AAV and remote phone control 2 = remote phone control only 4 = AAV only Notes: (1) In order to activate the remote phone access feature and defeat an answering machine ensure that the correct ring detection count ("15") has been programmed in field *95. (2) Remote phone session will be terminated if a report must be sent. (3) If an alarm will be reported to primary and secondary phone numbers, AAV can only function via the secondary number. (4) If an alarm will be reported to a pager (6-8 in field *49), or the follow me phone number (10-12 in field *49), AAV cannot be used.
*92	NUMBER OF REPORTS IN ARMED PERIOD	<input type="checkbox"/> [0] 0 = 10 Alarm/Alarm Restore Reports; 1 = Unlimited (UL installations = 0)
DOWNLOAD INFORMATION (*93, *94, *95)		
*93	FLEXIBLE CALLBACK	<input type="checkbox"/> [0] 0 = No flexible callback; 1 = Last digit flexible; 2 = Last 2 digits flexible; 3 = Last 3 digits flexible
94	DOWNLOAD PHONE NUMBER	<input type="text"/> <input type="text"/> <input type="text"/> <input type="text"/> <input type="text"/> <input type="text"/> <input type="text"/> <input type="text"/> <input type="text"/> <input type="text"/> <input type="text"/> <input type="text"/> <input type="text"/> <input type="text"/> <input type="text"/> <input type="text"/> <input type="text"/> <input type="text"/> <input type="text"/> <input type="text"/> Enter up to 20 digits, 0-9; # +11 for ''; # +12 for '#'; # +13 for a pause. Do not fill unused spaces. If fewer than 20 digits entered, pressing * advances to the next field. To clear entries from field, press *94*. Note: In UL installations, downloading may only be performed if a technician is at the site.
*95	RING DETECT COUNT FOR DOWNLOADING/REMOTE PHONE CONTROL MODE	<input type="checkbox"/> [15] 0 = Disable Station Initiated Download; 1-14 = number of rings (1-9, [#]+10 =10, [#] +11 =11, [#] +12 =12, [#] +13 =13, [#] +14 =14); 15 = answering machine defeat ([#] +15 =15)
*96	INITIALIZE DOWNLOAD ID & SUBSCRIBER ACCOUNT	No entry required
*97	SET ALL PROGRAM FIELDS TO 1 OF 4 SETS OF DEFAULT VALUES	Enter 1-4 to select from default tables 1-4 Enter 0 to abort.
*98	EXITS PROGRAMMING MODE (PREVENTS RE-ENTRY)	If *98 is used to exit programming mode, you cannot enter the Installer Code + 8+ 0 + 0 for re-entry. You must press "*" and "#" within 50 seconds of power up or from exiting Programming mode to re-enter Programming mode. Note: After exiting Program mode, the system takes up to 1 minute to reset. To bypass the reset delay, press [#] + [0].

Field	Function	Programmed Values	[] = Table 1 Default Value
*99	EXITS PROGRAMMING MODE (ALLOWS RE-ENTRY)	Installer Code + 8 + 0 + 0	
		or:	
		Power-up, then press "*" and "#" within 50 seconds of power up or from exiting Programming mode.	
		Note: After exiting Program mode, the system takes up to 1 minute to reset. To bypass the reset delay, press [#] + [0].	

*56 ENHANCED ZONE PROGRAMMING PROCEDURE

Use this mode to program zone information. Press *56 while in programming mode.

- Notes:** (1) Entering a number other than the one specified may give unpredictable results.
(2) You may find it convenient to adjust the volume setting before entering the Programming Mode. This will allow you to clearly hear feedback announcements or system beeps.

A 02

ZONE NUMBER

Enter the 2-digit zone number to be programmed. The system will announce the Voice Descriptor for the selected zone, if it is programmed.

[*] = Continue

00 = exit zone programming mode;
upon exiting, the prompt "56" blinks; press

[*] + any field number to go to that field.

• Zones 2-25 = RF transmitter zones (only)

• Zone 26-41 = RF button zones (only)

• Zone 92 = Duress

• Zone 95, 96, 99 = Panic zones

b zt

ZONE TYPE

Enter the 2-digit zone type (zt) for this zone (see table of zone types on worksheet).

[*] = Continue [if 00 is entered the system will skip to DELETE ZONE PARAMETERS prompt (F)].

[#] = Return to previous prompt

[rc

REPORT CODE

Enter the report code (rc) for this zone.

Report consists of 2 hexadecimal digits, each composed of 2 numerical digits (A = 10, B = 11, C = 12, D = 13, E = 14, F = 15; see Report Code description for explanation of codes). [*] = Continue; If this is zone 95, 96 or 99, the system skips to the VOICE DESCRIPTOR prompt (1C)

[#] = Return to previous prompt

d i

INPUT TYPE

Enter the input type (i) for the transmitter assigned to this zone as follows:

3 = Supervised RF (RF)

[*] = Continue

4 = Unsupervised RF (UR)

[#] = Return to previous prompt

5 = Button type (BR)

Note

Zones 2-25 should be assigned as Input Type 3 or 4 and Zones 26-41 should be assigned as Type 5 only.

E l

LOOP NUMBER or LOOP AND SERIAL NUMBER (if using RF Learning)

Note: It is not necessary to manually enter a Loop Number if using the RF Learning Mode.

RF Learning - Two (2) transmissions (two key depressions at least five seconds apart) will be required for BR type devices (device type 5). Two beeps will sound after the second transmission, confirming that the loop number and serial number have been learned.

For all other device types, four (4) transmissions are required (fault, restore and fault, restore). A single beep will sound after the second transmission confirming that the loop and serial number have been captured. Following the fourth transmission the system will confirm that the loop and serial number have been learned by announcing the Voice Descriptor for the zone, if it is programmed, followed by two beeps.

Note: BR type devices cannot be enrolled by using UR or RF type. Likewise, UR or RF type devices cannot be enrolled by using a BR type device. There is a 52-second time-out for RF enrolling. At the end of the time-out, the system returns to the INPUT TYPE prompt (d). If enrolled, loop number and "L" are displayed.

Manual Entry - Enter the desired loop number and press [*] to continue (see the transmitter's Installation Instructions for specific loop designations). If "L" is displayed the zone's serial number has already been enrolled.

Note: The loop number can be changed even if the zone has already been entered. Care should be taken when using this feature as it has the capability to make zones inoperable by creating a mismatch of a working serial number/loop number combination. This should be re-confirmed if the loop number is changed.

0 + [*] = to Delete Serial Number prompt (F)

[*] = Continue to the ENROLL MODE prompt (1A) if not enrolled, or VOICE DESCRIPTOR prompt (1C) if already enrolled.

[#] = Return to previous prompt

1-4 = Loop number for the zone of the transmitter being entered or learned

*56 ENHANCED ZONE PROGRAMMING PROCEDURE

F

DELETE ZONE PARAMETERS

0 = Discard the delete request.

1 = Confirm the requested delete.

If 00 is entered in the zone type, confirmation of the delete request will delete all information associated with zone currently being programmed.

If 0 is entered in the loop number, confirmation of the delete request will delete the serial number associated with zone currently being programmed.

Note: 00 was entered as a zone type in prompt (b), 00 will be retained and system will advance to prompt (1C).

1A LC

ENROLL MODE

0 = Skip to the VOICE DESCRIPTOR prompt (1C). If zone type is "00," then skips to DELETE SERIAL NUMBER prompt instead.

1 = Enroll now and proceed to SERIAL NUMBER prompt (1b) (If "L" is not displayed).

2 = Copy the last serial number from the local memory buffer (If "L" is not displayed).

3 = View existing serial number. (Only if "L" is displayed).

9 = Delete existing serial number. (Only if "L" is displayed).

[*] = Advance to the VOICE DESCRIPTOR prompt (1C). This will save all zone parameters.

[#] = Return to the loop number prompt (E).

Notes: (1) "L" will be displayed only if transmitter was already learned.

(2) The system will announce the Voice Descriptor for the selected zone, if it is programmed, followed by three beeps and "C" will be displayed only after confirmation.

1b

SERIAL NUMBER

Manually enter the transmitter's 7-digit serial number (printed on the transmitter). If an incorrect digit is entered, press the [#] key to return to prompt (1A).

Note: In order for all parameters to be accepted, you must advance to prompt (1C).

When all 7 digits are entered, press the [*] key. The serial number will be copied into EEROM and the local memory buffer and the system will return to the (1A) prompt and "L" will be displayed. If 52 seconds pass and no entry is been made, the system will return to prompt (1A).

1C

VOICE DESCRIPTOR

0 = Skip to next zone (A)

1 = Enter descriptor mode (existing zone descriptor will be announced, then descriptor 1 will be repeated)

1d vi

DESCRIPTOR 1

Enter [#] + 2-digit vocabulary index† number (*vi*) of first descriptor word for this zone.

To change the entered index number, press [#] + desired index number.

6 = accept word and advance to descriptor 2 (descriptor 2 will be announced)

8 = accept word and advance to next zone (prompt A) – zone descriptor will be announced

Press any other key to repeat the selected word

1E vi

DESCRIPTOR 2

Enter [#] + 2-digit vocabulary index† number (*vi*) of second descriptor word for this zone.

To change the entered index number, press [#] + desired index number.

6 = accept word and advance to descriptor 3 (descriptor 3 will be announced)

8 = accept word and advance to next zone (prompt A) – zone descriptor will be announced

Press any other key to repeat the selected word

1F vi

DESCRIPTOR 3

Enter [#] + 2-digit vocabulary index† number (*vi*) of third descriptor word for this zone.

To change the entered index number, press [#] + desired index number.

6 or 8 = accept word and advance to next zone (prompt A) – zone descriptor will be announced

Press any other key to repeat the selected word

† See *84 ASSIGN ZONE VOICE DESCRIPTORS section for Vocabulary Index.

*80 DEVICE PROGRAMMING

Use this mode to program Powerline Carrier Devices or zone lists for Chime by Zone feature. Press *80 while in programming mode.

Note: Entering a number other than the one specified may give unpredictable results.

80

Device Programming

0 = Exit mode, upon which this prompt blinks.
1 = Enter mode

A 01

DEVICE NUMBER

Enter the 2-digit device number (01-08) to be programmed

[*] = Continue

00 = Exit Device Programming mode (displays blinking 80; enter * + desired data field or menu mode number)

b aa

DEVICE ACTION

Enter the 1-digit action, 0-3, for the device being programmed (current action is displayed).

0 = No response

3 = Pulse on and off

1 = Close for 2 seconds

[*] = Continue

2 = Close and stay closed

[#] = Return to previous prompt

[et

START EVENT TYPE (if applicable)

Enter the 1-digit start event type, 0-3, for the device being programmed.

0 = Not used

3 = Trouble

1 = Alarm

[*] = Continue

2 = Fault

[#] = Return to previous prompt

d zl

START ZONE LIST (if applicable)

Enter the 1-digit zone list number, 1-3, or 0 if not used, for the device being programmed.

[*] = Continue

[#] = Return to previous prompt

E zt

START ZONE TYPE (if applicable)

Enter the 2-digit start zone type for the device being programmed (see Powerline Carrier Device Worksheet for zone type/system operation codes later in this manual).

[*] = Continue

[#] = Return to previous prompt

F zl

STOP ZONE LIST (if applicable)

Enter the 1-digit zone list number, 1-3, or 0 if not used, for the device being programmed.

[*] = Continue

[#] = Return to previous prompt

IA zt

STOP ZONE TYPE (if applicable)

Enter the 2-digit stop zone type for the device being programmed (see Powerline Carrier Device Worksheet for zone type/system operation codes later in this manual).

[*] = Return to Device Number prompt (A)

[#] = Return to previous prompt

*81 ZONE LISTS

Use this mode to define zone lists for Powerline Carrier Devices and/or for the chime by zone feature. Press *81 while in programming mode.

Note: Entering a number other than the one specified may give unpredictable results.

81

ZONE LIST PROGRAMMING

0 = Exit mode, upon which this prompt blinks.

1 = Enter mode

A 01

ZONE LIST NUMBER

Enter the 2-digit zone list number (01-03) to be programmed (use zone list 03 for chime by zone feature).

[*] = Continue

00 = Exit mode (displays blinking 81; enter * + desired data field or menu mode number)

b zz

ZONE ENTRY TO LIST

Enter the 2-digit zone number (zz) to be added to this zone list. The system will announce the Voice Descriptor for the selected zone, if it is programmed.

[*] = Accept zone number and enter the next zone number

00 = Accept zone number and continue to next prompt

[

DELETE ENTIRE ZONE LIST?

0 = Don't delete; continue to next prompt

1 = Delete the current zone list

d

DELETE SPECIFIC ZONES FROM LIST?

0 = Don't delete; continue to next zone list number (prompt A 01)

1 = Continue to delete zones prompt

E

DELETE ZONES

Enter the 2-digit zone number to be deleted from the current zone list. When deleting a zone(s) from the zone list, if the selected zone has a Voice Descriptor programmed, upon deletion it will be announced as a confirmation that it has been deleted.

[*] = Delete zone and enter next zone to be deleted

00 = Return to next zone list number (prompt A 01)

*83 ENHANCED SEQUENTIAL MODE

Use this mode to enter transmitter serial numbers. Press *83 while in programming mode.

R *02*

ZONE NUMBER

Enter the 2-digit zone number of the first transmitter to have its serial number entered. The system will announce the Voice Descriptor for the selected zone if it has been programmed.

[*] = Continue; system searches for zones not yet entered, (for zones 2 to 25 a zone type must be entered) then advances to ENROLL SERIAL NUMBER prompt (1b).

00 = Exit Sequential mode, upon which the prompt "83" blinks.

1A *ZZ*

ENROLL MODE

0 = Advance to next unlearned zone.

1 = Enter now and proceed to SERIAL NUMBER prompt (1b). For 4-button keys (zones 26-29, 30-33, 34-37 and 38-41) the serial number will be learned to all four buttons.

2 = copy the previous serial number entry from the buffer.

Note: Before you can copy a serial number you must first enter a serial number. If no serial is stored in the buffer and a copy is attempted the panel will emit a long beep indicating an invalid operation.

3 = View existing serial number. (Only if "L" is displayed. If "L" is not displayed, panel will emit a long beep. Each digit will be displayed and the keypad will beep once for digits 1-6 and three times for last digit.

4 = Copy the 4-button key template set for zones 26 - 29 (includes all zone parameters except serial numbers). Only valid on 4-button key zones 30-33, 34-37 and 38-41 that do not have serial numbers learned. (Template acceptance is indicated by two beeps after copying. A single long beep emitted when copying templates indicates the template is not valid.)

9 = Delete existing serial number. Go to the (1A) prompt. (For 4-button key zones 26-29, 30-33, 34-37 and 38-41, deletes all four at once.)

[*] = Advance to the next unlearned zone.

[#] = Return to previous prompt (1A).

1b *ZZ*

SERIAL NUMBER

This prompt can be used to enroll the transmitter serial number via RF transmission or manually.

RF Learning - Two (2) transmissions (two key depressions at least five second apart) will be required for BR type or four (4) transmissions (fault, restore and fault, restore) for UR or RF type. BR type devices can be enrolled only by transmission from BR devices. Likewise, UR and RF devices can only be enrolled by transmission from a UR or RF device.

If the learned serial number has a different loop number than that entered in *56 the system will announce the Voice Descriptor, if it is programmed, followed by two beeps and will return to Prompt (1A) and "L" will be displayed.

If the loop number captured by RF transmission and that entered in *56 mode match, the system will announce the Voice Descriptor, if it is programmed, followed by three beeps and return to Prompt (1A) and "LC" will be displayed. No additional transmissions are needed for confirmation.

Manual Entry - Enter the 7-digit serial number printed on the transmitter. If you enter an incorrect digit, press the [#] key to backup to prompt (1A) and start over. When all 7 digits are entered, press the [*] key. If less than 7 digits are entered, the keypad will emit a single long beep and return to the (1A) prompt without displaying the "L". If more than 7 digits have been entered, the first 6 digits will be saved along with the last digit that was entered (entering 123456789 yields the serial number 1234569).

Note: If 52 seconds passes and no entry has been made, the system returns to prompt (1A).

F

DELETE ZONE PARAMETERS CONFIRMATION

0 = Discard the delete request.

1 = Confirm requested delete.

*84 ASSIGN ZONE VOICE DESCRIPTORS

Use this mode to assign voice descriptors for each zone. These are the descriptors that are announced when the system announces any event involving a zone number. Press *84 while in programming mode.

Note: Entering a number other than the one specified may give unpredictable results.

84

ASSIGN ZONE VOICE DESCRIPTORS

0 = Exit mode, upon which this prompt blinks.
1 = Enter mode

A zz

ZONE NUMBER

Enter the 2-digit zone number (zz) for which this descriptor is being assigned. The Voice Descriptor for the selected zone will be announced, if it is programmed.

[*] = Continue to next prompt (existing descriptors will be announced, then descriptor 1 will be repeated.)

00 = Exit Zone Voice Descriptor mode (displays blinking 84; enter * + desired data field or menu mode number)

b vv

DESCRIPTOR 1

Enter [#] + 2-digit vocabulary index number of first descriptor word for this zone.

To change the entered index number, press [#] + desired index number.

6 = accept word and advance to descriptor 2 (descriptor 2 will be announced)

8 = accept word and advance to next zone (prompt A....zz) – zone descriptor will be announced

Press any other key to repeat the selected word

[vv

DESCRIPTOR 2

Enter [#] + 2-digit vocabulary index number of second descriptor word for this zone.

To change the entered index number, press [#] + desired index number.

6 = accept word and advance to descriptor 3 (descriptor 3 will be announced)

8 = accept word and advance to next zone (prompt A....zz) – zone descriptor will be announced

Press any other key to repeat the selected word

d vv

DESCRIPTOR 3

Enter [#] + 2-digit vocabulary index number of third descriptor word for this zone.

To change the entered index number, press [#] + desired index number.

6 or 8 = accept word and advance to next zone (prompt A....zz) – zone descriptor will be announced

Press any other key to repeat the selected word

VOCABULARY INDEX

00 ½ sec pause	F	M	S	29 1 ST
A	43 FAMILY ROOM	14 MAIN	64 SECOND FLOOR	30 2 ND
82 ALARM	87 FIRE	15 MASTER	65 SEVEN	31 3 RD
32 ATTIC	44 FIRE DETECTION	54 MASTER	20 SHED	70 Custom Word #1
B	07 FIRST FLOOR	BEDROOM	21 SHOP	71 Custom Word #2
01 BABY	45 FIVE	55 MEDICAL	66 SIDE	72 Custom Word #3
33 BACK	08 FLOOR	84 MESSAGE	67 SILENT POLICE	73 Custom Word #4
34 BASEMENT	46 FOUR	56 MOTION DETECTOR	68 SIX	74 Custom Word #5
35 BATHROOM	47 FRONT	N	69 SLIDING	99 Blank (to erase
36 BEDROOM	G	57 NINE	22 SMOKE	previously
C	48 GARAGE	16 NORTH	23 SOUTH	programmed word)
83 CHECK	49 GUEST ROOM	58 NURSERY	24 STORAGE	SYSTEM WORDS
D	09 GUN	O	85 SYSTEM	(Announced by system –
37 DELAY DOOR	H	59 OFFICE	T	not programmable)
38 DEN	50 HALL	60 ONE	25 THIRD FLOOR	AC LOSS
02 DETECTOR	I	17 OUTSIDE	75 THREE	ARMED
03 DINING	10 INSIDE	P	76 TRANSMITTER	AWAY
39 DINING ROOM	K	61 PATIO	77 TWO	BYPASSED
04 DOOR	51 KITCHEN	62 POLICE	U	CHIME
40 DOWNSTAIRS	L	18 POOL	78 UPSTAIRS	DISARMED
05 DRIVEWAY	11 LAUNDRY	R	26 UTILITY	DISARM SYSTEM
E	52 LAUNDRY ROOM	63 REAR	79 UTILITY ROOM	NOW
06 EAST	12 LIBRARY	19 ROOM	W	EXIT NOW
41 EIGHT	13 LIVING		27 WEST	FAULT
42 EMERGENCY	53 LIVING ROOM		80 WINDOW	INSTANT
			Y	LOW BATTERY
			28 YARD	NOT
			Z	READY TO ARM
			81 ZERO	STAY
			86 ZONES	

Note: If a Wireless Keypad is being installed along with this system, not all the voice descriptors shown on this list can be announced by keypad. (Refer to the Wireless Keypad documentation for further information).

*85 RECORD CUSTOM VOICE DESCRIPTORS

Use this mode to record up to 5 custom voice descriptors for use with zone announcements. Press *85 while in programming mode.

NOTE: Entry of a number other than one specified will give unpredictable results.

85

RECORD CUSTOM VOICE DESCRIPTORS

0 = Exit mode, upon which this prompt blinks.

1 = Enter mode

R 7d

CUSTOM DESCRIPTOR NUMBER

Enter 7 + d + [*]

where $d = 0-4$, each representing custom word 70, 71, 72, 73 or 74 respectively. Existing descriptor will be announced.

Press [#] to start recorder. Begin speaking immediately after the third beep.

Speak the desired word clearly near the keypad microphone. Recording stops after 1.5 seconds.

6 = Accept word and ready to record next descriptor (prompt A....7d)

[#] = Re-record descriptor

00 = Exit Record mode after pressing 6 (displays blinking 85; enter * + desired data field or menu mode number)

Press any other key to repeat the recorded word.

*56 ENHANCED ZONE PROGRAMMING WORKSHEET

Fill in the required data on this worksheet, then follow the programming procedure in the Installation and Setup Guide.

ZONES ON CONTROL: See explanation of headings (defaults shown are for Table 1)

Zone Description	Duress	Zone No. (a 02)	Zone Type (zt)	Alarm rpt code (hex) (rc)	Vocabulary Index
		9 2		[01 00]	
Keypad Panic (1 & *)		9 5	— — [00]	[00 00]	
Keypad Panic (3 & #)		9 6		[00 00]	
Keypad Panic (* & #)		9 9		[01 00]	

Zone No. (A 02)	Zone Type (zt)	Alarm Report Code in hex (rc)	Input Type (i)	Loop No. (l)	Transmitter Serial Number	Vocabulary Index
02	[01]	[01 00]	[3]	[2]		[47-04-99]
03	[01]	[01 00]	[3]	[2]		[33-04-99]
04	[03]	[01 00]	[3]	[2]		[80-99-99]
05	[10]	[01 00]	[3]	[1]		[56-99-99]
06						
07						
08						
09						
10						
11						
12						
13						
14						
15						
16						
17						
18						
19						
20						
21						
22						
23						
24						
25						

Zone No. (A 02)	Zone Type (zt)	Alarm Report Code in hex (rc)	Input Type (i)	Loop No. (l)	Transmitter Serial Number	Vocabulary Index
Button Zones						
2 6	<input type="text"/> <input type="text"/> [21]	<input type="text"/> <input type="text"/> [01 00]	<input type="text"/> [5]	<input type="text"/> [3]	<input type="text"/>	<input type="text"/> <input type="text"/>
2 7	<input type="text"/> <input type="text"/> [22]	<input type="text"/> <input type="text"/> [01 00]	<input type="text"/> [5]	<input type="text"/> [2]	<input type="text"/>	<input type="text"/> <input type="text"/>
2 8	<input type="text"/> <input type="text"/> [20]	<input type="text"/> <input type="text"/> [01 00]	<input type="text"/> [5]	<input type="text"/> [4]	<input type="text"/>	<input type="text"/> <input type="text"/>
2 9	<input type="text"/> <input type="text"/> [23]	<input type="text"/> <input type="text"/> [00 00]	<input type="text"/> [5]	<input type="text"/> [1]	<input type="text"/>	<input type="text"/> <input type="text"/>
3 0	<input type="text"/> <input type="text"/> [21]	<input type="text"/> <input type="text"/> [01 00]	<input type="text"/> [5]	<input type="text"/> [3]	<input type="text"/>	<input type="text"/> <input type="text"/>
3 1	<input type="text"/> <input type="text"/> [22]	<input type="text"/> <input type="text"/> [01 00]	<input type="text"/> [5]	<input type="text"/> [2]	<input type="text"/>	<input type="text"/> <input type="text"/>
3 2	<input type="text"/> <input type="text"/> [20]	<input type="text"/> <input type="text"/> [01 00]	<input type="text"/> [5]	<input type="text"/> [4]	<input type="text"/>	<input type="text"/> <input type="text"/>
3 3	<input type="text"/> <input type="text"/> [23]	<input type="text"/> <input type="text"/> [00 00]	<input type="text"/> [5]	<input type="text"/> [1]	<input type="text"/>	<input type="text"/> <input type="text"/>
3 4	<input type="text"/> <input type="text"/>	<input type="text"/> <input type="text"/>	<input type="text"/>	<input type="text"/>	<input type="text"/>	<input type="text"/> <input type="text"/>
3 5	<input type="text"/> <input type="text"/>	<input type="text"/> <input type="text"/>	<input type="text"/>	<input type="text"/>	<input type="text"/>	<input type="text"/> <input type="text"/>
3 6	<input type="text"/> <input type="text"/>	<input type="text"/> <input type="text"/>	<input type="text"/>	<input type="text"/>	<input type="text"/>	<input type="text"/> <input type="text"/>
3 7	<input type="text"/> <input type="text"/>	<input type="text"/> <input type="text"/>	<input type="text"/>	<input type="text"/>	<input type="text"/>	<input type="text"/> <input type="text"/>
3 8	<input type="text"/> <input type="text"/>	<input type="text"/> <input type="text"/>	<input type="text"/>	<input type="text"/>	<input type="text"/>	<input type="text"/> <input type="text"/>
3 9	<input type="text"/> <input type="text"/>	<input type="text"/> <input type="text"/>	<input type="text"/>	<input type="text"/>	<input type="text"/>	<input type="text"/> <input type="text"/>
4 0	<input type="text"/> <input type="text"/>	<input type="text"/> <input type="text"/>	<input type="text"/>	<input type="text"/>	<input type="text"/>	<input type="text"/> <input type="text"/>
4 1	<input type="text"/> <input type="text"/>	<input type="text"/> <input type="text"/>	<input type="text"/>	<input type="text"/>	<input type="text"/>	<input type="text"/> <input type="text"/>

EXPLANATION OF ZONE ASSIGNMENT TABLE HEADINGS

A 02 = ZONE No. Zone Numbers are 2-25 (RF) only, 26-41 (Button) only, 92 (duress), 95, 96, 99 (panic)

zt = ZONE TYPE

00 = Not Used	04 = Interior Follower	08 = 24 Hr Aux	21 = Arm-Away
01 = Entry/Exit #1	05 = Trouble Day/Alarm Night	09 = Fire without Delay	22 = Disarm
02 = Entry/Exit #2	06 = 24 Hr Silent	10 = Interior with Delay	23 = No Alarm Response
03 = Perimeter	07 = 24 Hr Audible	20 = Arm-Stay	24 = Silent Burglary

rc = ALARM REPORT CODE Two Hex Digits. For each Hex Digit, enter: 00-09 for 0-9, 10 for A, 11 for B, 12 for C, 13 for D, 14 for E, 15 for F. If "00" is entered as the first digit, there will be no report for that zone.
For Contact ID reporting, this is enabling code only. Enter any hex digit (other than 00) in the first pair of boxes. The second pair of boxes is ignored.

i = INPUT TYPE

Enter 3 for RF: Supervised RF
Enter 4 for UR: Unsupervised RF
Enter 5 for BR: Button Type RF

Zones 2-25 should be assigned as Input Type 3 or 4 and Zones 26-41 should be assigned as Type 5 only.

l = LOOP NUMBER Used with 5800 RF Loop Input Devices. Record transmitter loop number. Entries are 1-4, depending on device being used. Refer to the transmitter's instructions for appropriate loop numbers.

POWERLINE CARRIER DEVICES WORKSHEET FOR *80, and *81.

Applicable only if Powerline Carrier Devices are to be used, or chime-by-zone feature is used.



Powerline Carrier Devices have not been evaluated by UL.

*80 OUTPUT DEVICES

Fill in the required data on the worksheet on below and follow the programming procedure in the Installation Instructions as you enter the data during the displays and prompts that appear in sequence.

Note: Field *25 must be programmed with a House Code.

DEVICE NUMBER	ACTION (aa)	S T A R T either or both			S T O P either or both	
		EVENT TYPE (et)	ZONE LIST (zl)	ZONE TYPE SYS OPERATION (zt)	RESTORE ZONE LIST (zl)	ZONE TYPE/ SYS OPERATION (zt)
P.L.C.D.*† 01						
P.L.C.D.*† 02						
P.L.C.D.*† 03						
P.L.C.D.* 04						
P.L.C.D.* †05						
P.L.C.D.*† 06						
SYS. P.L.C.D.*† 07						
SYS. P.L.C.D.*† 08	[2]			[33]		[36]

* P.L.C.D. = Powerline Carrier Device (X10).

Note: If using an X10 Powerhouse Security SH10A Siren as device 8, you must change the action default to "3" if using default table 4.

Where:	A = DEVICE ACTION	0 = No Response; 1 = Close for 2 sec; 2 = Close and stay closed; 3 = Pulse on and off.																											
	ET = EVENT TYPE	0 = Not used; 1 = Alarm; 2 = Fault; 3 = Trouble.																											
	Z L = ZONE LIST	1, 2, or 3 (from Field *81) or 0 = Not Used. "START" ZONE LIST: Upon alarm, fault, or trouble of ANY zone on this list, device action will START. "STOP" RESTORE of ZONE LIST: Upon restore of ALL zones on this list, device action will STOP. It need not be same list as used for START. Note: Do not assign zones with types 20, 21, or 22 to a zone list.																											
	ZT = ZONE TYPE/ SYSTEM OPERATION	<p>Choices for Zone Types are:</p> <table border="0"> <tr> <td>00 = Not Used</td> <td>04 = Interior Follower</td> <td>08 = 24 Hr Aux</td> </tr> <tr> <td>01 = Entry/Exit#1</td> <td>05 = Trouble Day/Alarm Night</td> <td>09 = Fire Zone</td> </tr> <tr> <td>02 = Entry/Exit#2</td> <td>06 = 24 Hr Silent</td> <td>10 = Interior w/Delay</td> </tr> <tr> <td>03 = Perimeter</td> <td>07 = 24 Hr Audible</td> <td>24 = Silent Burglary</td> </tr> </table> <div style="border: 1px solid black; padding: 5px; margin: 10px 0;"> <p>Note: Any zone in "ZT" going into alarm, fault, or trouble will activate device with the exception of 01, 02 when the system is in alarm. Any zone that restores will stop device action.</p> </div> <p>Choices for System Operation are:</p> <table border="0"> <tr> <td>20 = Arming-Stay</td> <td>33 = Any Alarm (except ZT=08 or 09)</td> <td>40 = Bypassing 42 = System Battery Low</td> </tr> <tr> <td>21 = Arming-Away</td> <td>36 = *At Bell Timeout</td> <td>43 = Communication Failure</td> </tr> <tr> <td>22 = Disarming (Code + FF)</td> <td>38 = Chime</td> <td>52 = KISSOFF</td> </tr> <tr> <td>31 = End of Exit Time</td> <td>39 = Any Fire Alarm</td> <td>58 = Duress</td> </tr> <tr> <td>32 = Start of Entry Time</td> <td></td> <td></td> </tr> </table> <p>* Or at Disarming, whichever occurs earlier.</p>	00 = Not Used	04 = Interior Follower	08 = 24 Hr Aux	01 = Entry/Exit#1	05 = Trouble Day/Alarm Night	09 = Fire Zone	02 = Entry/Exit#2	06 = 24 Hr Silent	10 = Interior w/Delay	03 = Perimeter	07 = 24 Hr Audible	24 = Silent Burglary	20 = Arming-Stay	33 = Any Alarm (except ZT=08 or 09)	40 = Bypassing 42 = System Battery Low	21 = Arming-Away	36 = *At Bell Timeout	43 = Communication Failure	22 = Disarming (Code + FF)	38 = Chime	52 = KISSOFF	31 = End of Exit Time	39 = Any Fire Alarm	58 = Duress	32 = Start of Entry Time		
00 = Not Used	04 = Interior Follower	08 = 24 Hr Aux																											
01 = Entry/Exit#1	05 = Trouble Day/Alarm Night	09 = Fire Zone																											
02 = Entry/Exit#2	06 = 24 Hr Silent	10 = Interior w/Delay																											
03 = Perimeter	07 = 24 Hr Audible	24 = Silent Burglary																											
20 = Arming-Stay	33 = Any Alarm (except ZT=08 or 09)	40 = Bypassing 42 = System Battery Low																											
21 = Arming-Away	36 = *At Bell Timeout	43 = Communication Failure																											
22 = Disarming (Code + FF)	38 = Chime	52 = KISSOFF																											
31 = End of Exit Time	39 = Any Fire Alarm	58 = Duress																											
32 = Start of Entry Time																													

Note: In normal operation mode:

<u>For Devices 1-6:</u> number Function + Lights On + N Function + Lights Off + N	<u>For Devices 7 and 8:</u> Code + Function + 4 + N Code + Function + 7 + N	N = device (unit) (Entry starts Device N) (Entry stops Device N)
--	---	--

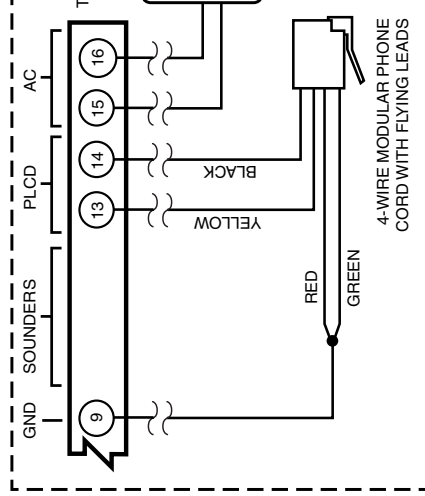
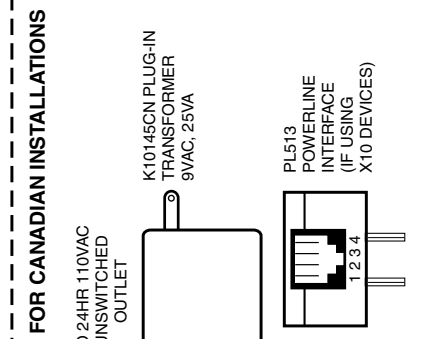
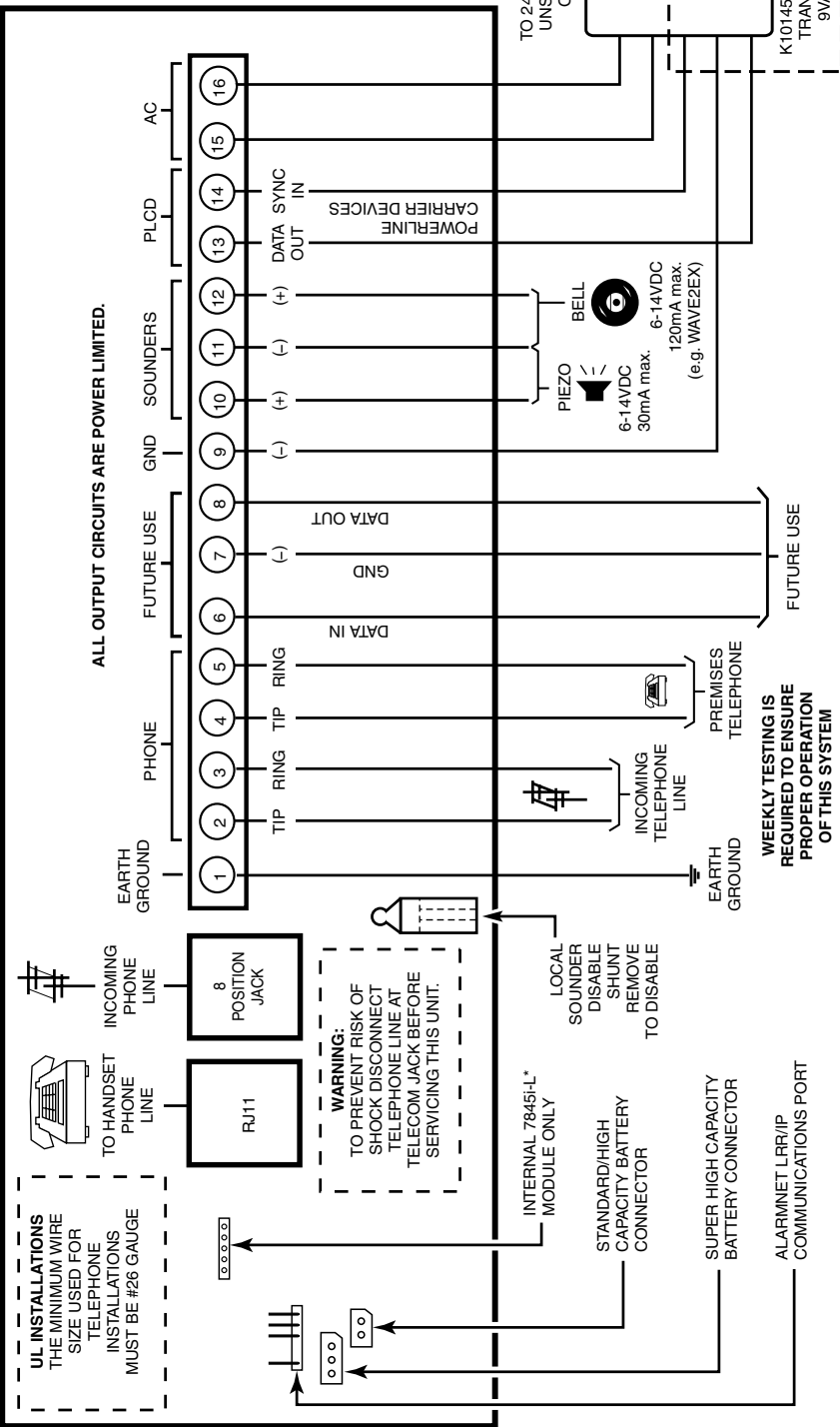
EXTERNAL SOUNDERS AND POWERLINE CARRIER DEVICES HAVE NOT BEEN EVALUATED BY UL.



ALL OUTPUT CIRCUITS ARE POWER LIMITED.

FCC ID: CFS8DLYNXR-3 (LYNXR-I) COMPLIES WITH FCC RULES, PART 68 FCC REGISTRATION No. 5GBUSA-25623-AL-E RINGER EQUIVALENCE: 0.6B

NOTE
USE ONLY THE K10145X10 OR K10145CN CLASS 2 TRANSFORMERS PROVIDED



THE LYNXR-I CONTROL IS COMPATIBLE WITH THE FOLLOWING INTEGRAL RECHARGEABLE BATTERY PACKS:
P/N LYNXRCHKIT-SC
P/N LYNXRCHKIT-HC
P/N LYNXRCHKIT-SHA
REPLACE EVERY FOUR YEARS

LYNXR-I ALSO COMPLIES WITH THE FOLLOWING: CANADIAN STANDARDS ASSOCIATION (CSA) C22.1, CANADIAN ELECTRICAL CODE, PART 1, SAFETY STANDARD FOR ELECTRICAL INSTALLATIONS AND CANULC-S840 INSTALLATION OF RESIDENTIAL FIRE WARNING SYSTEMS.

THIS EQUIPMENT SHOULD BE INSTALLED IN ACCORDANCE WITH THE NATIONAL FIRE PROTECTION ASSOCIATION STANDARDS ANSI/NFPA 70 NATIONAL ELECTRIC CODE AND NFPA 72 NATIONAL FIRE ALARM CODE, CHAPTER 2 (NATIONAL FIRE PROTECTION ASSOC., BATTERY MARCH PARK, QUINCY, MA 02269), PRINTED INFORMATION DESCRIBING PROPER INSTALLATION, EVACUATION PLANNING AND REPAIR SERVICE IS TO BE PROVIDED WITH THIS EQUIPMENT.

THIS DEVICE COMPLIES WITH PART 15 OF FCC RULES. OPERATION IS SUBJECT TO THE FOLLOWING TWO CONDITIONS: (1) THIS DEVICE MAY NOT CAUSE HARMFUL INTERFERENCE, AND (2) THIS DEVICE MUST ACCEPT ANY INTERFERENCE RECEIVED, INCLUDING INTERFERENCE THAT MAY CAUSE UNDESIRABLE OPERATION.

*WHEN AVAILABLE

LYNXR-I SUMMARY OF CONNECTIONS

07000-016-V1

- Notes -

Honeywell

165 Eileen Way, Syosset, New York 11791

Copyright © 2006 Honeywell International Inc.

www.honeywell.com/security



K14116 3/06 Rev. B